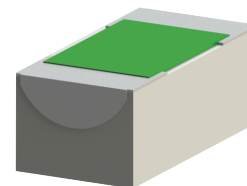


### RK0402ZZ-XXXXWN-96 Features:

- 1/4 Wraparound Terminal Configuration
- Solder or Epoxy Attachment
- Customer Defined Testing Available
- RoHS Compliant or SnPb Available
- Tape & Reel or Waffle Pack Available (Standard is bulk)



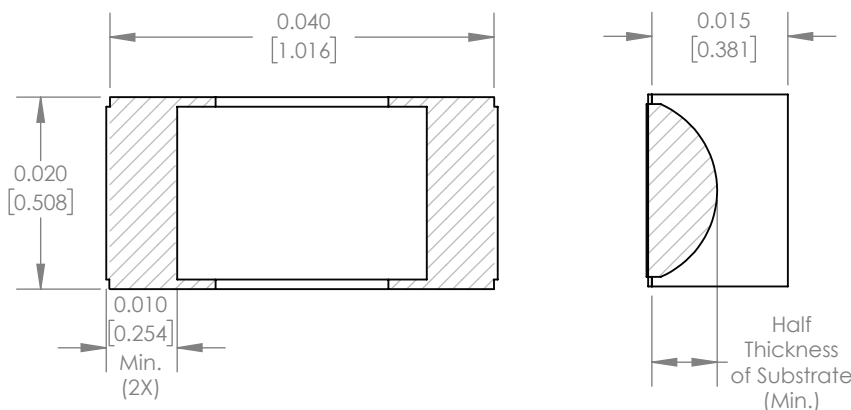
### RK0402ZZ-XXXXWN-96 Parameters:

Resistance Range:	0.5Ω to 1MΩ
CW Rated Power:	1.5W*
Construction:	Thick Film on BeO
Operating Temperature:	-55 to +150°C

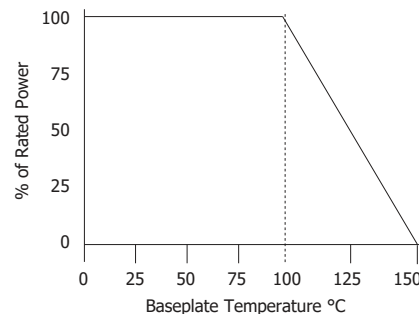
Actual Size

\* Rating based on ≤100°C constant baseplate temperature

### RK0402ZZ-XXXXWN-96 Dimensions:



### RK0402ZZ-XXXXWN-96 Power Derating Curve



Dimensions in inches [mm]  
Tolerance is ± 0.005 [0.127] unless otherwise stated

### Ordering Information:

<b>RK</b>	<b>0402</b>	<b>ZZ</b>	<b>- XXXX</b>	<b>W</b>	<b>N</b>	<b>-</b>	<b>96</b>	<b>UU</b>
Prefix for Resistor w/ 1/4 Wraparound Terminals								
Size	0402		Value Code Examples R500 - 0.5Ω    1001 - 1KΩ 1R00 - 1Ω      1002 - 10KΩ 10R0 - 10Ω    1003 - 100KΩ 1000 - 100Ω    1004 - 1MΩ	Tolerance F - 1% G - 2% J - 5% K - 10%	<b>Normal Inspection</b> Contact factory for additional options		Substrate 96 - 0.015" BeO	Packaging Blank - Bulk TRD - Tape and Reel (Face Down) WP - Waffle Pack

#### Terminal Metallization

AS -	SnPb Solder over Platinum Palladium Gold
CB -	SnPb Solder over Nickel over Silver
CT -	100% Matte Tin over Nickel over Silver
CX -	Sn96 over Nickel over Silver
JA -	Gold over Platinum Palladium Gold

	RoHS	Magnetic	Solder	Epoxy	Wirebond
AS -	No	No	Yes	No	No
CB -	No	Yes	Yes	No	No
CT -	Yes	Yes	Yes	No	No
CX -	Yes	Yes	Yes	No	No
JA -	Yes	No	No	Yes	Yes

Barry Industries reserves the right to change part number and/or process without notification.

**RK0402ZZ-XXXXWN-96 Features:**

Parameter:	Test Condition:	Results:
Short Time Overload	Apply 1.1x Rated Power for 5 Seconds.	≤ 5.0% Resistance Shift
Rated Load Life	Apply 1/2 Power Under 40°C ±2°C 90 Minutes on/ 30 Minutes off. Repeat for 100 hours	≤ 5.0% Resistance Shift
Moisture Resistance	MIL-PRF-55342 para 4.8.9 95% RH, 25°C - 65°C	≤ 5.0% Resistance Shift
Resistance to Soldering Heat	MIL-STD-202 Method 210 and MIL-PRF-55342 Para 4.8.8.1	≤ 5.0% Resistance Shift
Resistance to Bonding Exposure	MIL-PRF-55342 Para 4.8.8.2	≤ 5.0% Resistance Shift
Solderability	MIL-PRF-55342 Para 4.8.12	>95% Covered
High Temperature Storage	125°C ±2°C for 500 Hours	1.) ≤ 5.0% Resistance Shift 2.) No Significant Abnormality (Visual)
Thermal Shock	-65 to +125 30 Minutes Dwell, 5 Cycles	1.) ≤ 5.0% Resistance Shift 2.) No Significant Abnormality (Visual)

Barry Industries reserves the right to change part number and/or process without notification.